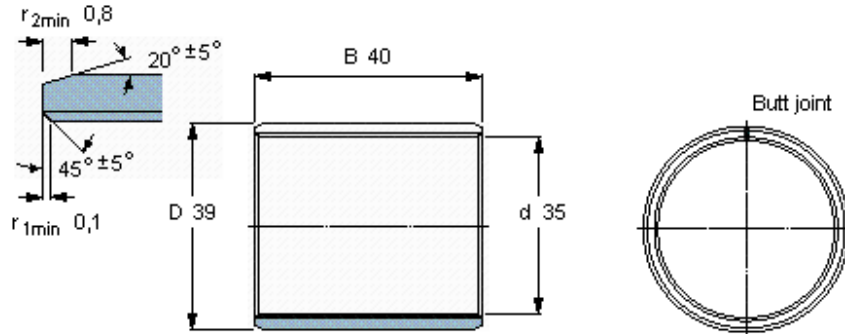


Composite dry sliding bushings, metric dimensions

| Principal dimensions | | | Basic load ratings | | Mass | Designation |
|----------------------|----|----|--------------------|--------------|-------|--------------|
| d | D | B | dynamic C | static C0 | | |
| mm | | | kN | | kg | - |
| 35 | 39 | 40 | 110 | 345 | 0,068 | PCM 353940 E |



Specific load factor
Material constant

K 80
K_M 480